

# BENDING SETS BARE & LINED

CE Approved



## FIELD INSTALLATION

The largest pipe size in a given pipe bending machine range requires a bending die only. In certain cases, adapter plates for the pin-up, the pin-up clamp and the stiff-back are needed. Check with your SUPERIOR representative.

## BENDING SET RECOMMENDATIONS

Standard bare Bending Sets

Bare pipe, coal tar, asphalt and annular extruded polyethylene up to 4mm thickness.  
Over 4mm coating thickness, special bare bending sets may be required.

Lined Die with remainder of set bare

Spiral welded pipe, side extruded polyethylene

Lined Bending Sets including die

Epoxy (thin film) polyethylene tape, PVC tape Special Bending Sets:

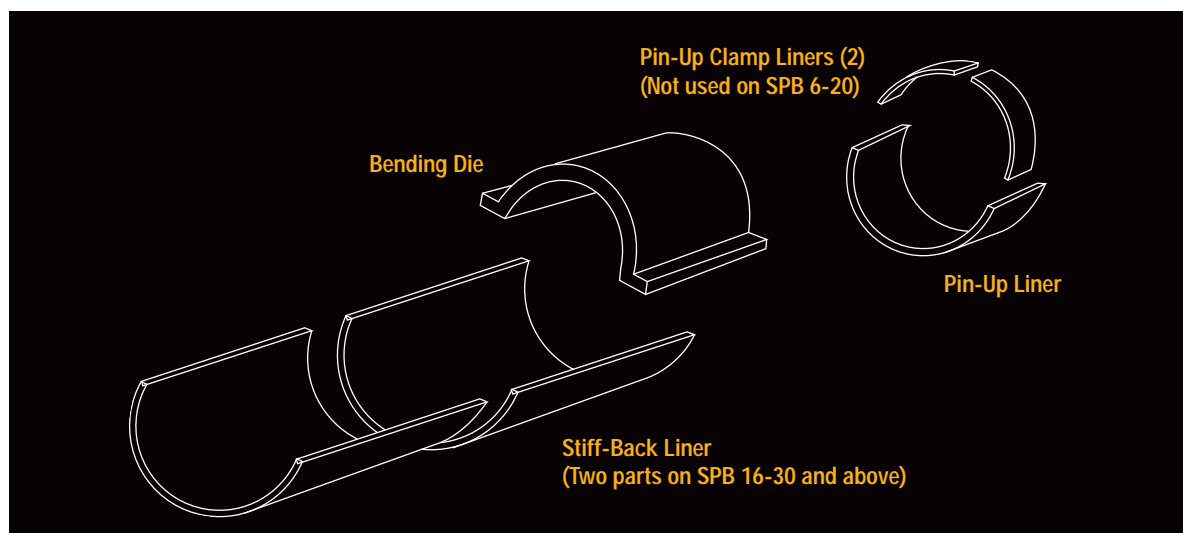
Foam coated pipe, small radius bends.

\* These recommendations do not constitute a warranty.

- A different size bending set is required for each diameter of pipe.
- Standard bending sets will accommodate pipe manufactured to API-5L.
- Your SUPERIOR Bending Machine requires a SUPERIOR Bending Set to produce maximum accuracy.
- SUPERIOR Bending Sets are available bare or with linings to accommodate special conditions and non-standard pipe or coating.

## FEATURES

- High quality steel construction
- Additional welding and reinforcement in high stress areas for maximum strength
- Internal surface finished with tooling machines for maximum accuracy
- Interchangeable with bending machines made by other manufacturers





## CONTACT INFORMATION

### **Main office – General inquiries SUPERIOR Manufacturing**

16031 East Freeway  
Channelview, TX 77530  
U.S.A.  
Phone 281.457.4400  
Fax 281.452.5455  
U.S. Toll Free 800.383.2666  
Intl. Toll Free 800.9675.3948  
pipeline@wwmach.com  
www.worldwidemachinery.com

### **Italy office SUPERIOR Manufacturing**

Via Roma, 18  
San Pancrazio, Parma  
Italy

**Evan Greenberg**  
Vice-President of Intl. Operations

### **Worldwide offices Europe and Australia**

Juergen Hafemann  
Phone +49.0.231.963.3073 Germany  
Phone +61.0.400.144.432 Australia  
pipelinece@wwmach.com

### **India**

Abhishek Bhotika  
Phone +91.11.414.59230  
pipelineind@wwmach.com

### **Africa**

Evan Greenberg  
Phone +1.281.452.5800  
pipeline@wwmach.com

### **Russia, China and the Middle East**

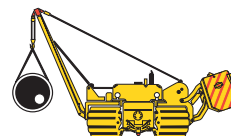
Sergio Braoude  
Phone +39.349.198.1281 Italy  
Phone +7.495.507.4827 Russia  
fsupipeline@wwmach.com

### **Latin America**

Salvador Villasana  
Phone +52.81.8.394.0160  
pipelinesa@wwmach.com

### **North America**

Rick Layh  
Phone +1.281.457.4400  
pipelinena@wwmach.com



**WORLDWIDE  
MACHINERY  
PIPELINE DIVISION**

 **SUPERIOR  
MANUFACTURING**

# DISCLAIMER

## DISCLAIMER

The information contained in this brochure is intended to be of a general nature only. The SUPERIOR Manufacturing Company may at any time and from time to time, for technical or other necessary reasons, modify any of the details or specifications of the product described in this brochure. Illustrations do not necessarily show products in standard conditions. The dimensions, weights and capacities shown herein, as well as any conversion data used, are approximate only and are subject to variations within normal manufacturing techniques.